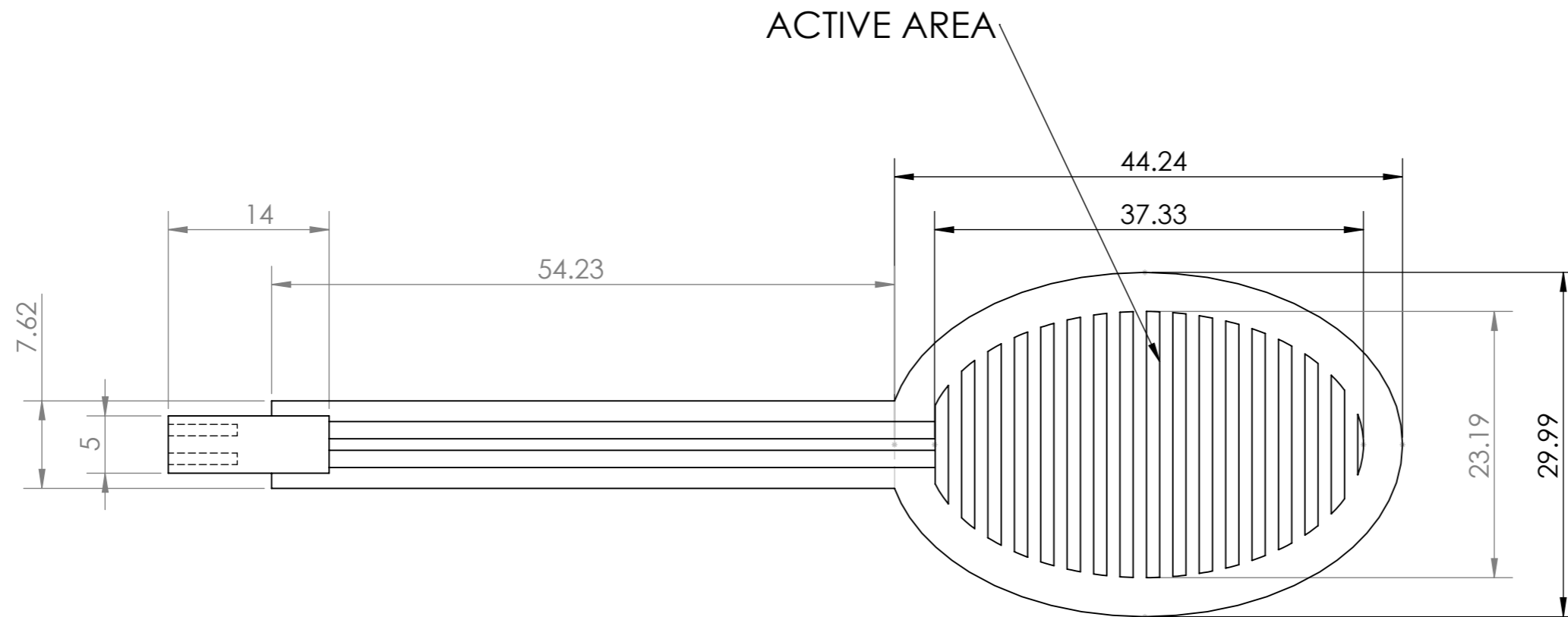


**LP-3983
ELLIPSE SHAPE -FSR**



UNLESS OTHERWISE SPECIFIED DIMENSION ARE IN mm
TOLERANCE STANDARD : PD 00123

UNLESS OTHERWISE SPECIFIED: DIMENSIONS ARE IN MILLIMETERS		FINISH:		DEBUR AND BREAK SHARP EDGES		DO NOT SCALE DRAWING		REVISION	
SURFACE FINISH:						LINEPRO CONTROLS PVT. LTD.			
TOLERANCES:									
LINEAR:						TITLE: ELLIPSE SHAPE -FSR			
ANGULAR:									
	NAME	SIGNATURE	DATE			DWG NO. LP-3983			
DRAWN	PRATHAMESH		10.03.2021						
CHK'D	RAHUL								
APPV'D	PAUL SIR					SCALE:1:1			
PROJECTION		MFG		MATERIAL:		WEIGHT:		SHEET 1 OF 1	
								A3	