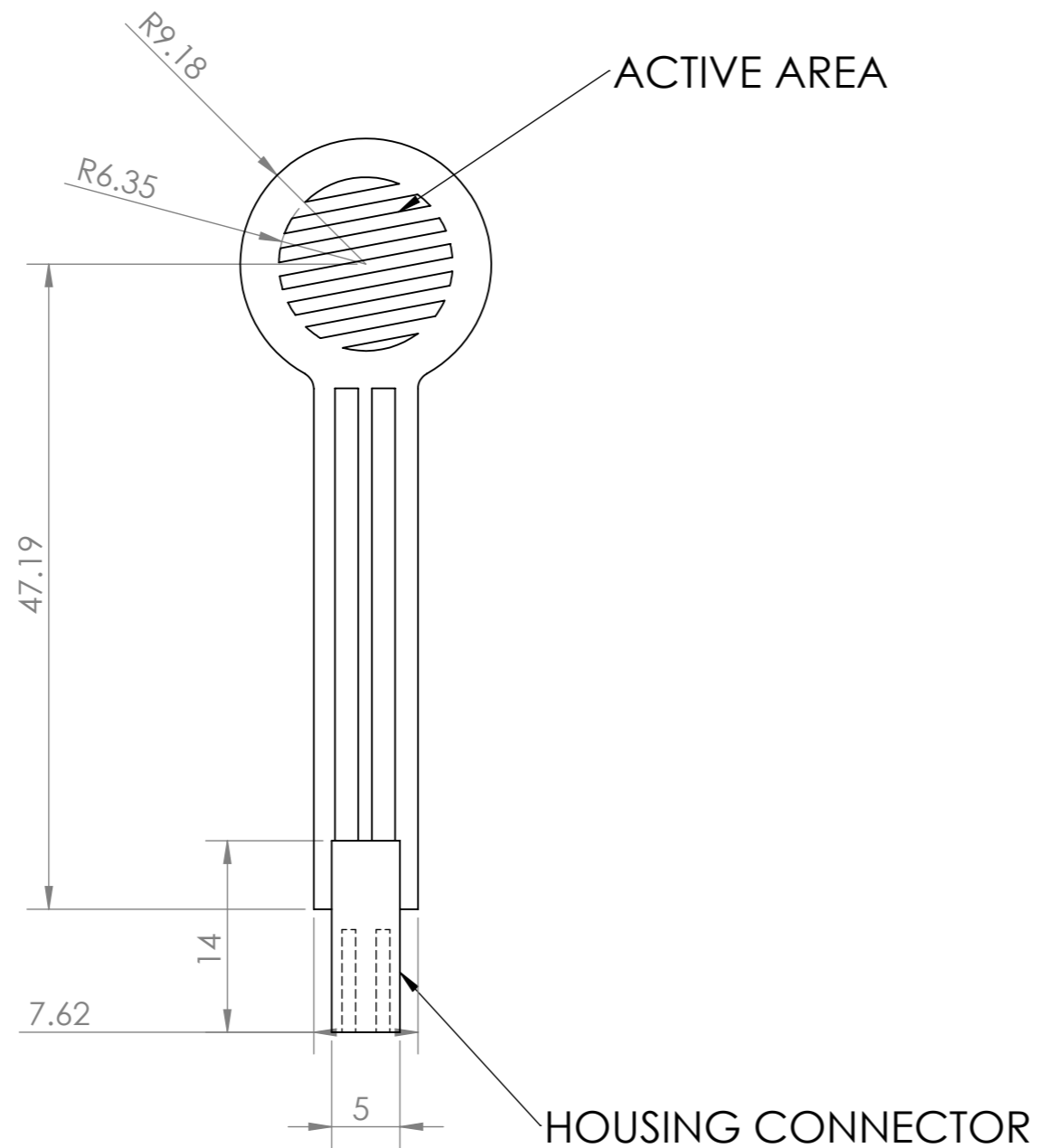


**LP-3940
CIRCULER SHAPE -FSR**



UNLESS OTHERWISE SPECIFIED DIMENSION ARE IN mm
TOLERANCE STANDARD : PD 00123

UNLESS OTHERWISE SPECIFIED: DIMENSIONS ARE IN MILLIMETERS SURFACE FINISH: TOLERANCES: LINEAR: ANGULAR:		FINISH:		DEBUR AND BREAK SHARP EDGES		DO NOT SCALE DRAWING		REVISION	
						LINEPRO CONTROLS PVT. LTD.			
						TITLE:			
						CIRCULER SHAPE -FSR			
DRAWN PRATHAMESH		SIGNATURE		DATE 10.03.2021		DWG NO.		A3	
CHK'D RAHUL						SCALE:1:1		SHEET 1 OF 1	
APPV'D PAUL SIR						WEIGHT:			
MFG				MATERIAL:					
Q.A									

